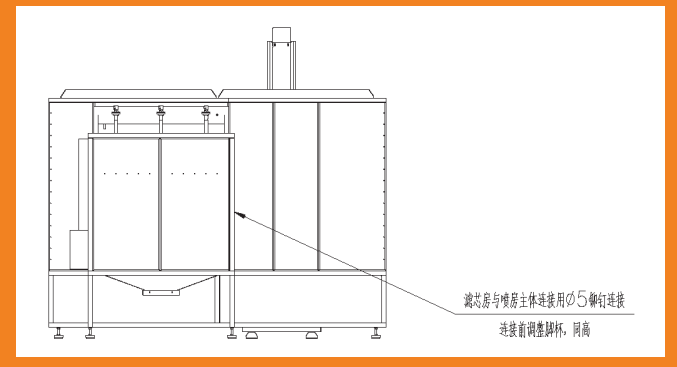
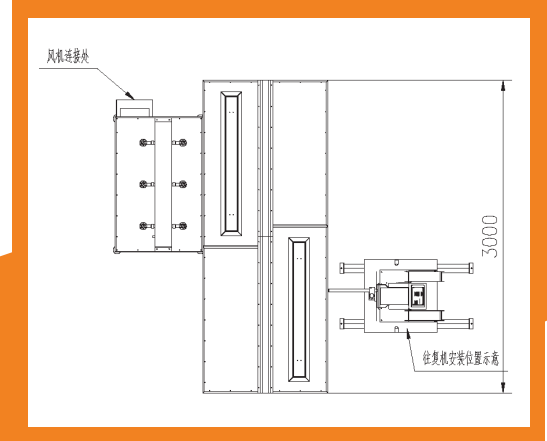
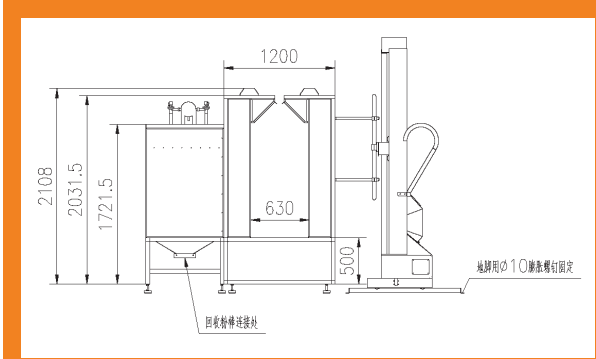


The coating booth is designed for the double-sided automatic or manual coating with a conveyor system.

Parts enter the booth through the conveyor openings, then pass the coating operator stations to receive the coating. The powder overspray is entrained within the air stream moving to the collector module, where the cartridge filters will remove the particulate. The containment air is drawn through the air handler's primary and final filter system before being discharged back into the room. Coated parts exit the booth for conveyance to the cure oven.



COLO-S-3212



- Operator dimensions** 620width x 1500 height x 2920 depth (2PCS)
- Overall dimensions** 1200width x 2033 height x 3000 depth
- Weight** 500kg
- Power supply** Electric
- Nominal power** 3.5kW
- Voltage** 380V(can be different as request)
- Frequency** 50-60Hz
- Filters** Polyester
- Filters count** 3
- Filters hang type** easy for change
- Filter cleaning system** Pneumatic
- Warranty** 12 months

Cyclone recovery system for manual or automatic booth

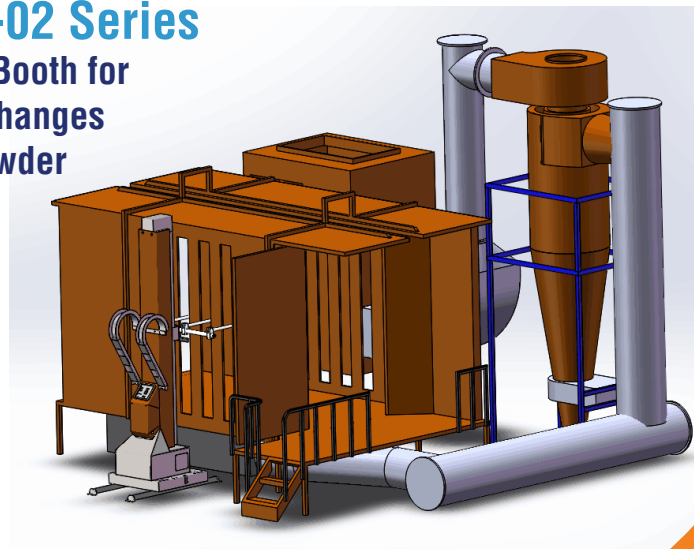


COLO-S-B Series
AUTOMATIC POWDER
BOOTHS For frequent
 colour change,
 very high painting output

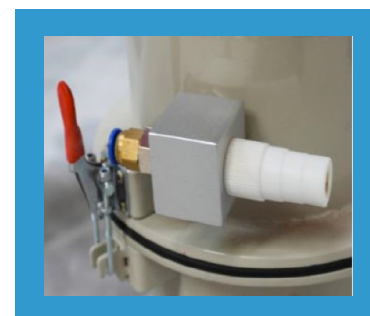
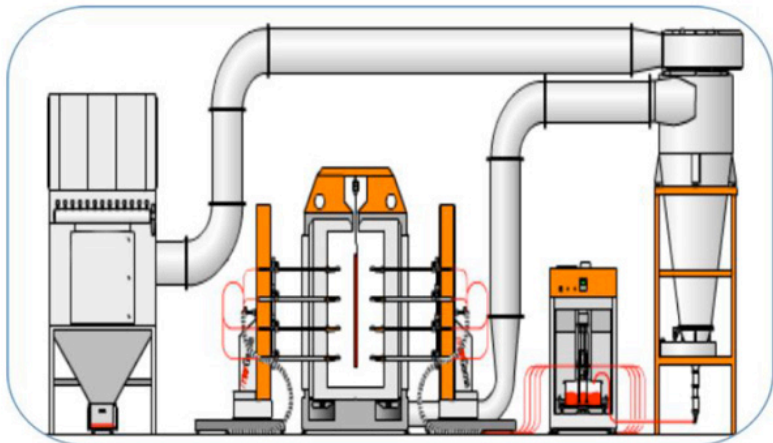


COLO-S-B-01 series
CYCLONE MANUAL
BOOTHS Fast
 colour change,
 for manual usage

COLO-S-B-02 Series
 Cyclone Auto Booth for
 many colors changes
 in the auto powder
 coating line

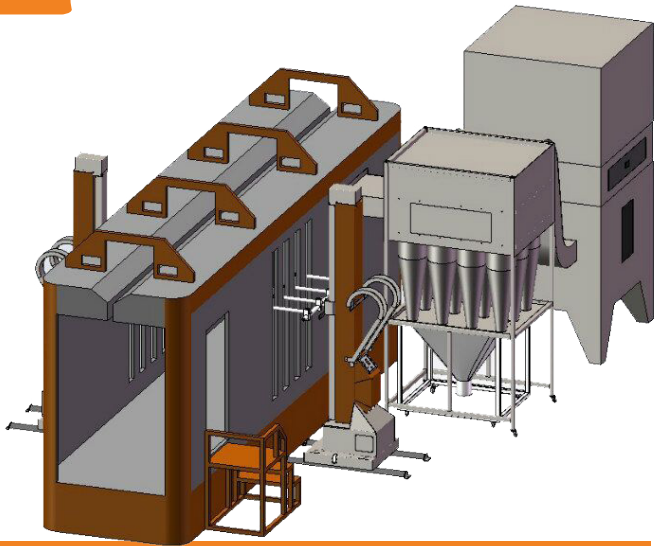


We adopt the most advanced mono cyclone pulse recovery system, which can change color in fifteen minutes. Large cyclone separator powder recovery efficiency 98%. Powder collection hopper and cyclone activity connected, easy to operate.

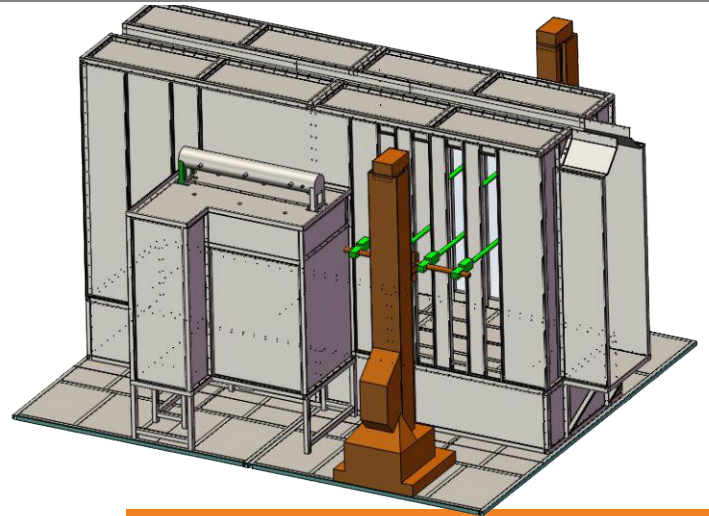


Bottom of barrel has recovery powder pump, recovery powder from powder pump automatically to vibration sieve and after sieve powder filtered to center of powder

For more information, speak with your COLO representative or contact your COLO regional office.



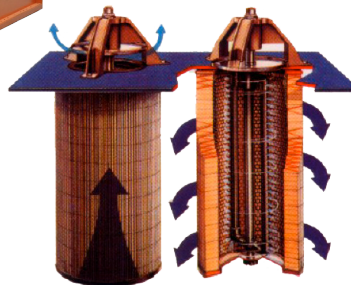
COLO-S-Cyclone Booth



COLO-S-Basic Type



Air filter system



cyclone device

- Including : a large or multi cyclone separator, Movable hopper, Venturi powder pumping Post filter device Cartridge filter Balanced-rotor rotary cleaning device Ventilation system



Mono-Cyclone

For automatic spray booth you can choose the basis type or small multi-cyclone or mono big cyclone model according to your colors number and detail request



Multi-Cyclone